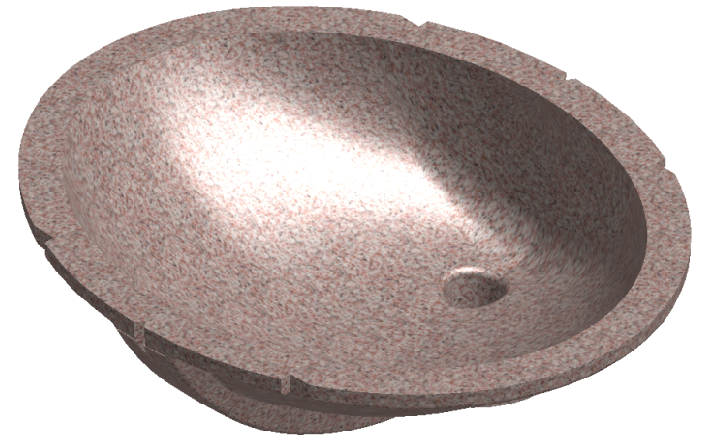
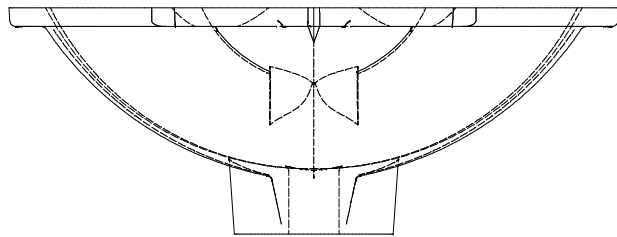
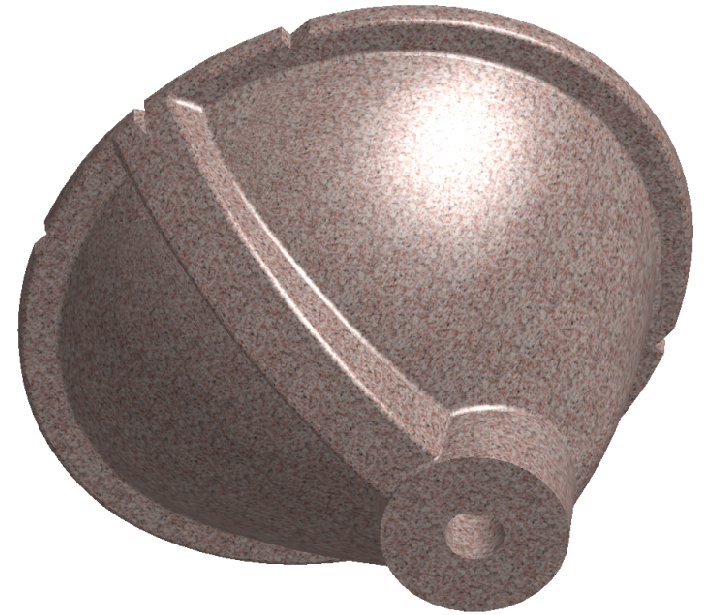
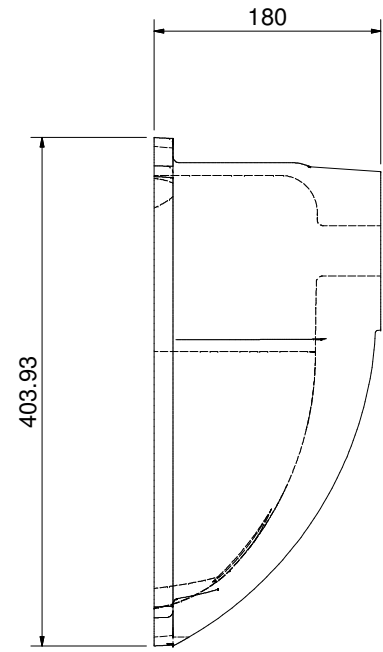
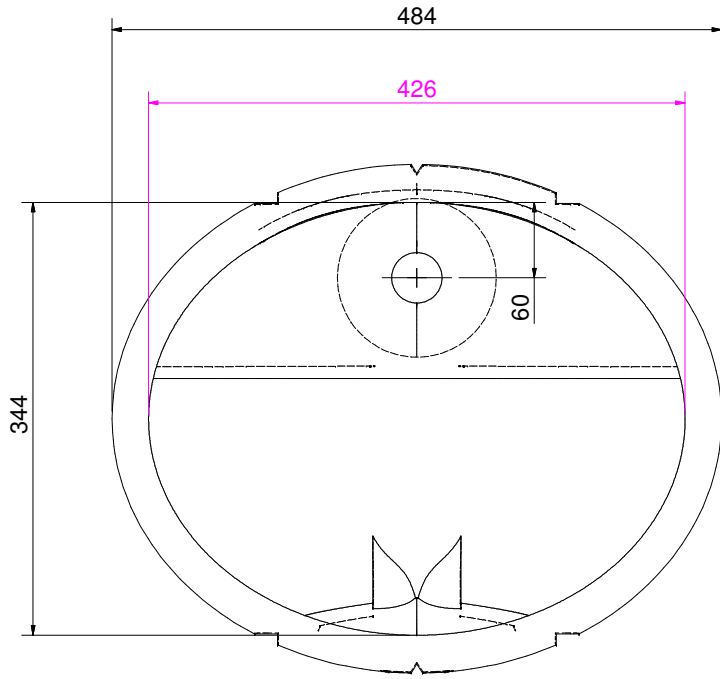


REVISION HISTORY				
No:	DATE	DESCRIPTION	BY	CHKD
1	01/06/2007	CREATED	DB	DB



ALL DIMENSIONS ARE APPROXIMATE.
 WASTE FITTING SIZE 1 1/4" BSP (OPTIONAL).

wallgate ltd
 CROW LANE, WILTON, NR. SALISBURY, WILTS, SP2 0HB
 Tel: 01722 744 894, Fax: 01722 742 096
THIS DRAWING IS THE PROPERTY OF WALLGATE LIMITED AND IS ISSUED ON THE STRICT UNDERSTANDING THAT THE INFORMATION CONTAINED HEREIN WILL NOT BE REPRODUCED, COPIED OR USED IN ANY MANNER WITHOUT THE WRITTEN PERMISSION AND AGREEMENT OF WALLGATE LTD.
 © 2007 Copyright

TITLE: UNDERMOUNT VANITY TOP BOWL
Drg No: MA1582
 Model/Client/Project:

MATERIAL: Polyester Solid Surface Thames
FINISH:

Limits: (unless stated)
 ± 0.25mm (sheetmetal)
 ± 0.10mm (machined)
 ± 2.00mm (pattern)
 ± 5.00mm (moulded)
 All dimensions in mm.
 All angles 90° (unless stated)
Scale:
 A2 3rd